

INSTALLATION INSTRUCTIONS

Technideck

100% INVISIBLE. FAST. DURABLE.

READ CAREFULLY BEFORE INSTALLATION.

Wood is a natural product and deserves all your attention. Please ensure that these installation instructions are carefully followed, as failure to adhere to them will be the responsibility of the installer. This installation manual has been written after years of experience in the decking field and will ensure that you get the most benefits from the system.

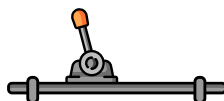
Your decking has undergone rigorous checks during manufacture. However, if a defect has been missed by our quality control, do not install and contact your supplier for advice.

0. MATERIAL REQUIRED

To assemble the *Technideck*[®] decking system, in addition to your usual tools, you will need *:



drill / screwdriver
(Ø3 & 4mm metal drills
+ Torx and PH2 bits)



Technideck[®] clamping tool



circular saw



centre punch



wood chisel



a meter



white rubber mallet



chalk line



spirit level / laser

*some of these elements are available into the *Technideck*[®] installation set.

1. SUITABLE SURFACES

A. Any hard surface such as cement slab or concrete screed with a slope of 1.5 to 3 cm per linear meter. The surface must meet the usual requirements: flatness (slope allowing suitable drainage and flow of water), surface resistance, free of cracks and cleanliness.

B. Ground with pedestals made of concrete, compacted gravel, naturally self-levelled or self-draining screed, structure in naturally durable wood. Hiding these materials by a geotextile film is recommended. The space between the earth and the planks must always be at least 10 cm. The good performance and durability of these materials must be checked before the installation.

2. STRUCTURE INSTALLATION

Before any operation and in order to decide about the direction of the installation and the tolerances to be provided for the first axis, check the regularity of the walls and their squareness.

- If the wall is straight, the 1st axis will be at 405 / 467.5 / 505mm from the wall (axis + 5mm clearance between boards and wall), then all the other axes will be every 400 / 462.5 / 500mm. Depending on the species and the section of the boards, the axis distance will be different (see table below).

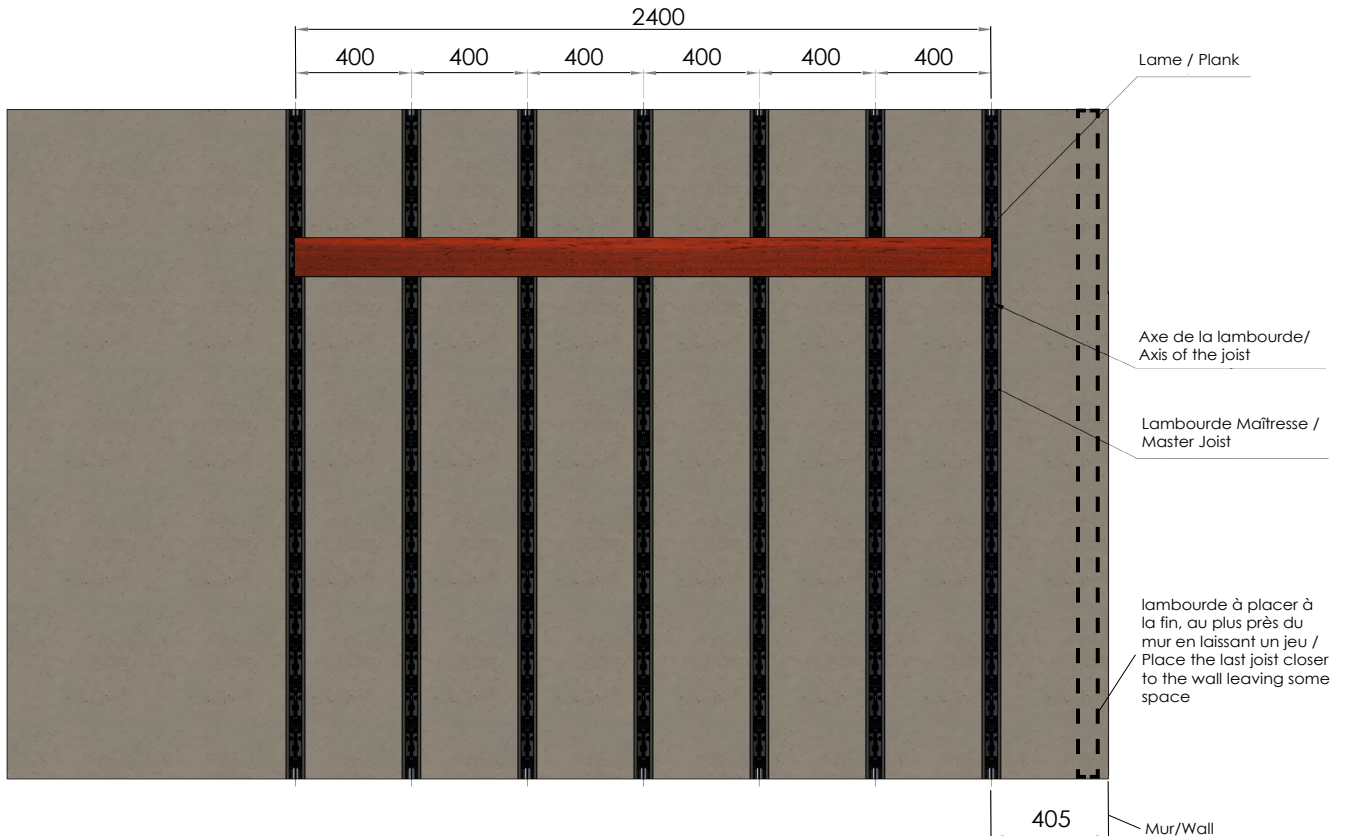
WOOD SPECIES AND DIMENSIONS

	TYPE	Section (mm)	Lengths (mm)	Profile	Axis-to-axis (mm)
	Padouk	20x100	800 to 2400	SL	400
		25x140	1000 to 2500	TD	500
	Thermo Ash	25x140	1000 to 2500	TD	500
	Bamboo C-TECH	20x140	1850	TD	462,5
	Cumaru Blondo	20x100	800 to 2400	SL	400
	Merbau	20x100	800 to 2400	SL	400
	Ipe	20x100	800 to 2400	SL	400

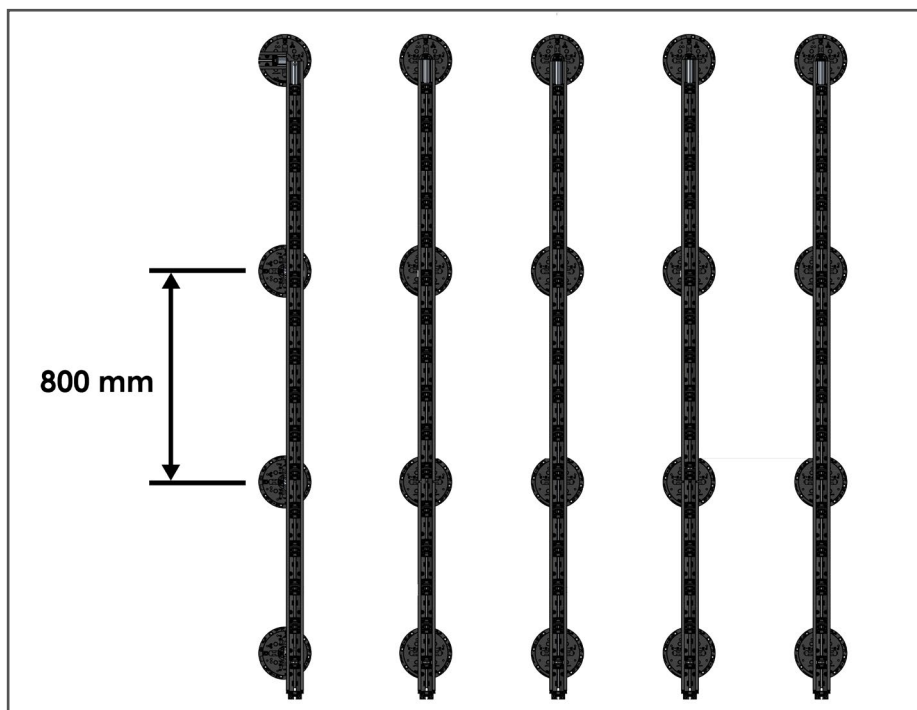
- If the wall is curved, measure the depth of the curve and deduct it from 405 / 467.5 / 505 mm. A joist will then be placed as close as possible to the wall and will only serve as a support.

POSITIONNING OF THE JOISTS

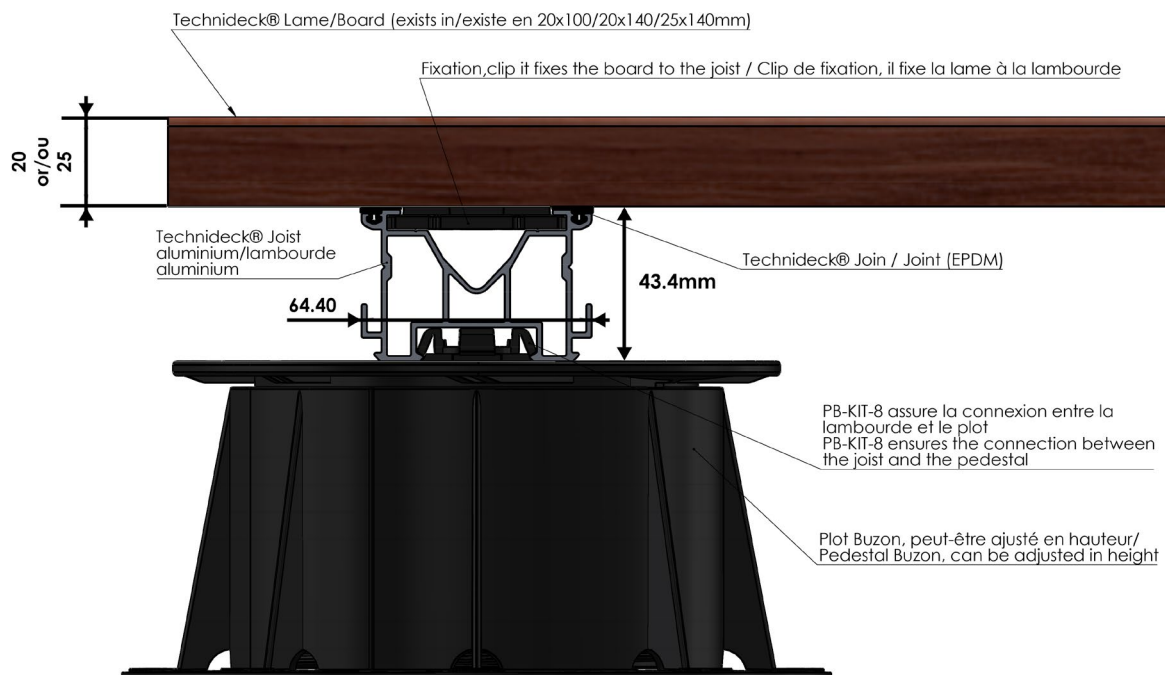
e.g. 20x100mm - 400mm axis



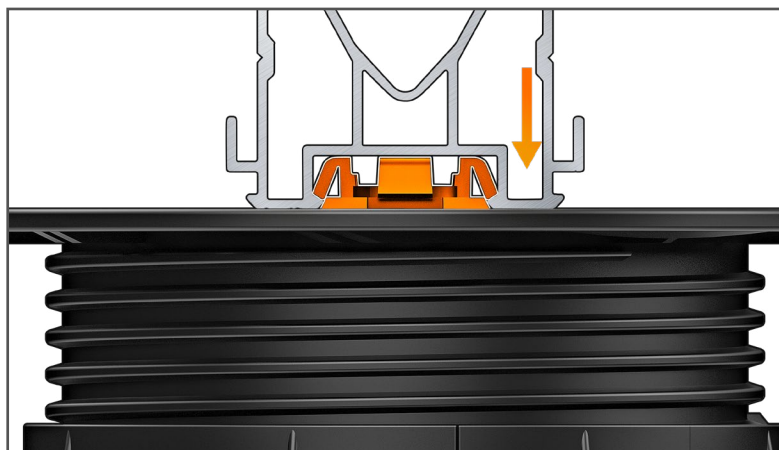
- Trace the axes on the ground using a chalk line. The axes will be 400 / 462.5 / 500mm widthwise (axis joists to joists) and 800mm maximum lengthwise (on the same joist).
- Install the adjustable pedestals at each **axis crossing**.
- Adjust all the pedestals to the finished level -62 or -67mm using a spirit or laser level. (42mm of aluminum joist + 20mm or 25mm of boards depending on the chosen wood species and section (see table species and dimensions)).



UNDERSTRUCTURE



- If **Buzon**® pedestals are used, "clip" the PB-KIT8 clip first onto the pedestal in order to be able to fix the **Technideck**® aluminum joist with a simple "click". Always secure the first row of pedestals to the joists with a screw. Repeat this operation after each use of the clamping tool (see below: step 8 of the summary of the installation steps).



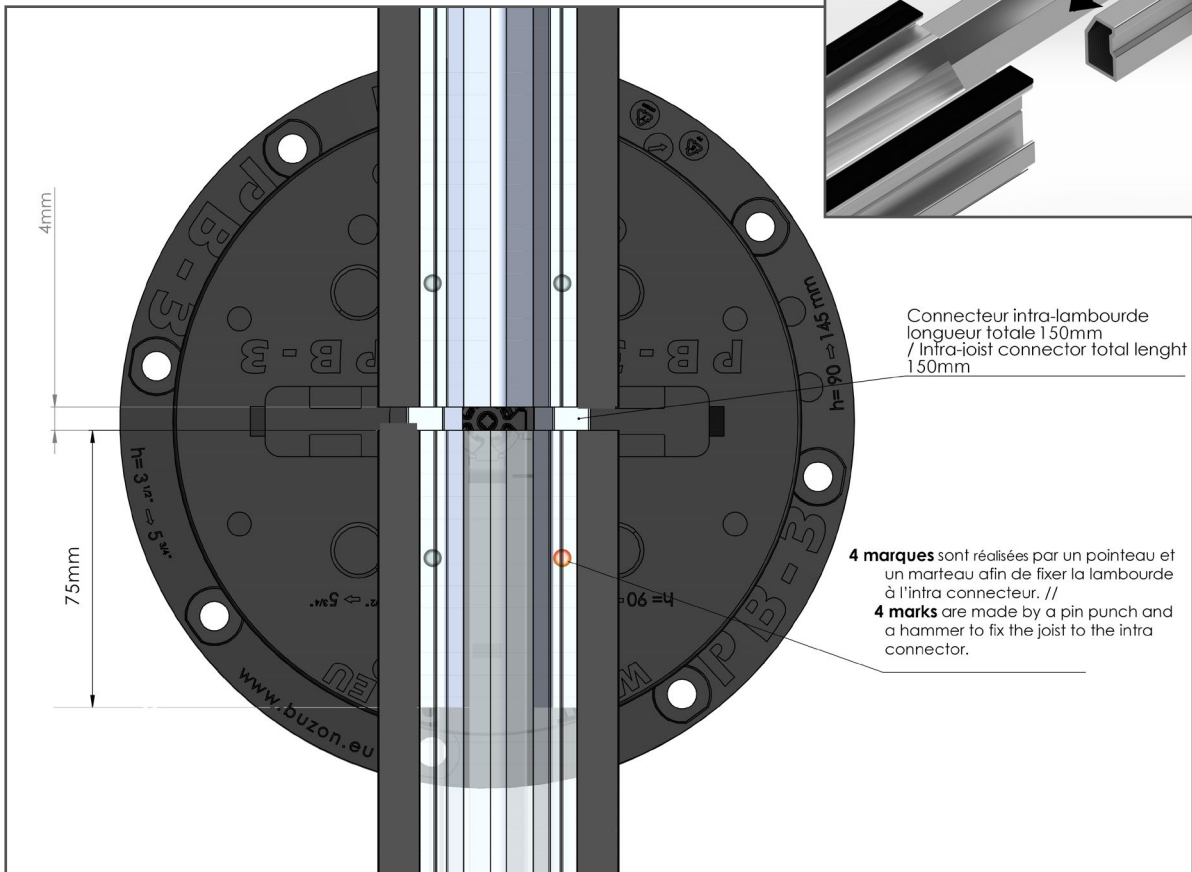
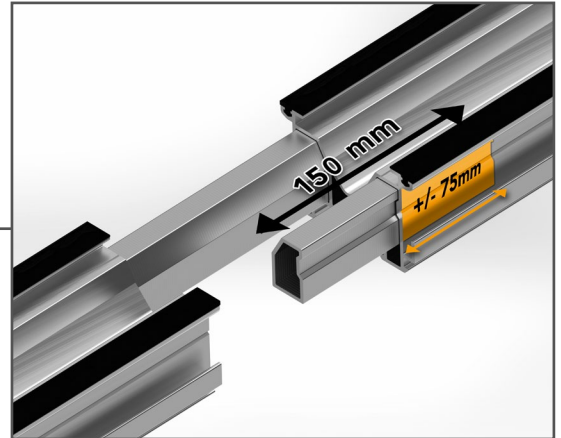
- The combination of the **Technideck**® joist and the **Buzon**® pedestal makes it possible to adjust the height of the pedestal and to offset it lengthwise while being fixed (except for the pedestals screwed onto the joist).

The installation of the **Technideck**® joists is done length by length, the fall of the joist is then used for the start of the next line and so on.

The junction of 2 joists must be done on a pedestal thanks to the intra-joist connectors and must be offset by at least one axis.

INTRA JOIST CONNECTORS

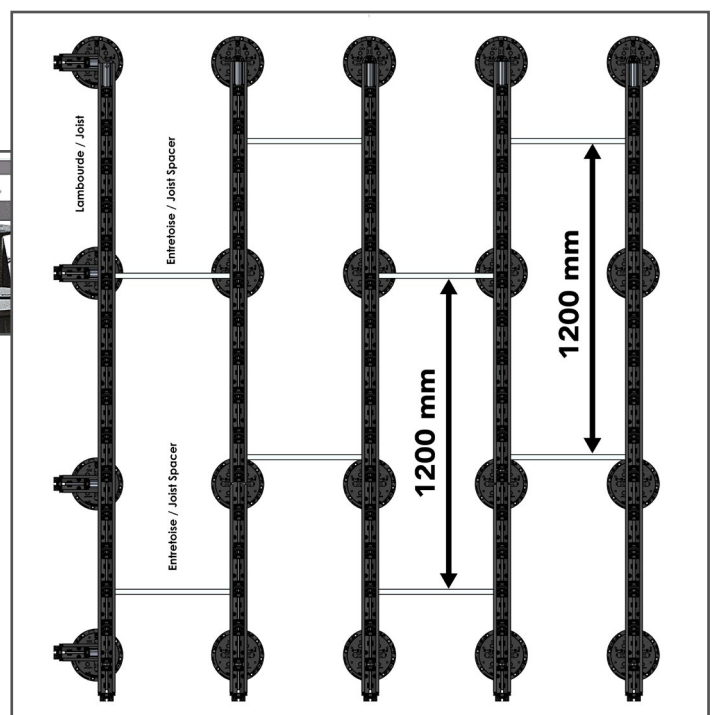
- Push the connectors into the joists at a distance of $\pm 75\text{mm}$ and use a centre punch to mark the joist to prevent them from sinking when the next joist is interlocked. Leave a clearance of 4mm between two joists to ensure expansion in hot weather.



JOIST SPACER FOR AXIS-TO-AXIS

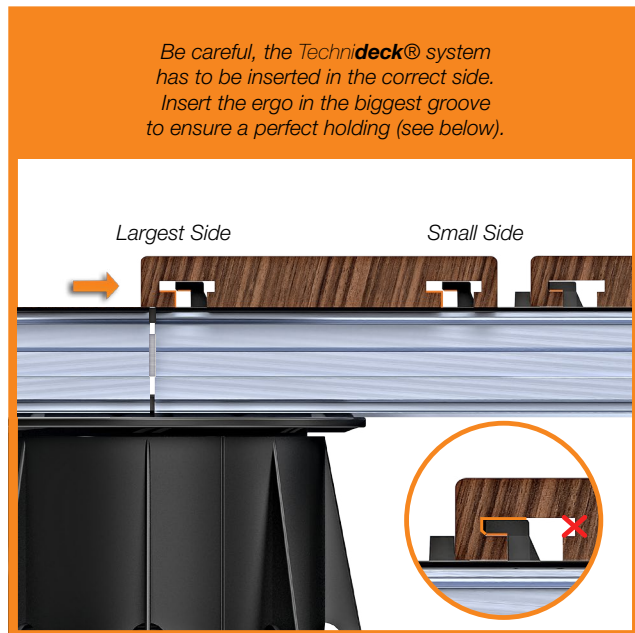


- Between each row of joists, place a suitable joist spacer according to the axis distance defined by the section of the boards (400 / 462.5 / 500mm).
- Proceed as follows: joist-spacer-joist-spacer, etc. Install the spacers on an alternative gridline's basis.

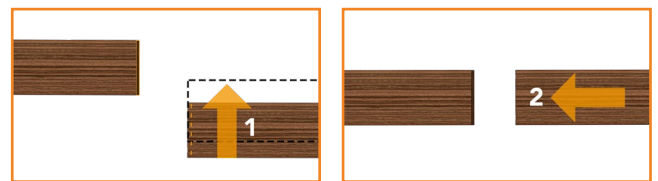


If generic pedestals are used, drill the joist in its groove and fix them together using A2 4x30 (minimum) screws.

- Draw a line for the attachment of the first row of clips. Fix the *Technideck*® clips onto the joist following the line using 4 A2 stainless steel screws of 4x22 mm per clip.
- The installation will be done «in strip pattern»; installation offset by at least one axis, i.e. 400 / 462.5 / 500mm of one board end to the other.



- Engage the boards in the fixing clips, the wide side of the board entering the clips, (see opposite drawing). Assemble the planks in the length into each other with the tongue and groove. The 6mm clearance between the boards will be automatically respected by the clip spacer itself. This space has aim to give a correct ventilation of the decking. The next plank must be fully positioned in the fixing clip in order to longitudinally be nested in the previous board's head (see drawing).



Also screw the second row of clips as done for the first one.

- Use the *Technideck*® clamping tool to tighten 6 boards in 140mm or 8 boards in 100mm. Once tighten, screw the next fixing clip (7th or 9th) using 4 self-drilling screws. Repeat the tightening operation with the same intensity setting before screwing each clip of each joist on the same line.

INSTALLATION SUMMARY

0 Screw the first row of pedestals to the joists using screws (min A2 4x30). Repeat the operation every 6 or 8 boards. See step 8. Pre-drilling in mandatory.

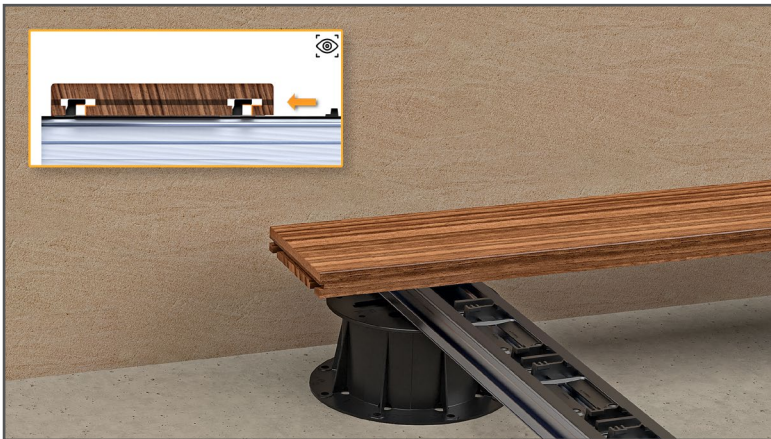


1

Secure the first clip using four self-drilling screws.

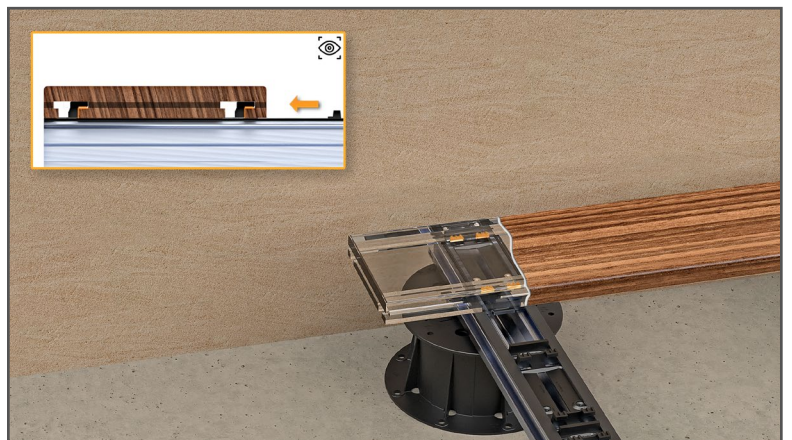
2

Grab the first plank and position it.



3

The board must be oriented in the correct direction. The long side of the groove enters into the lug of the fixation clip.



4

Push enough so that the board is fully fixed in the fixation clip.



5

Slide the next fixation clip **against the plank** making sure that the spacer is against the plank.

6

Once pushed in, screw the second row of clips using 2 screws only.

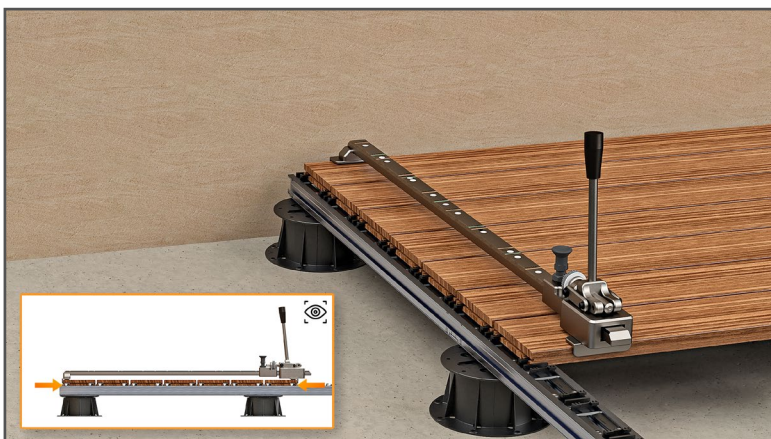
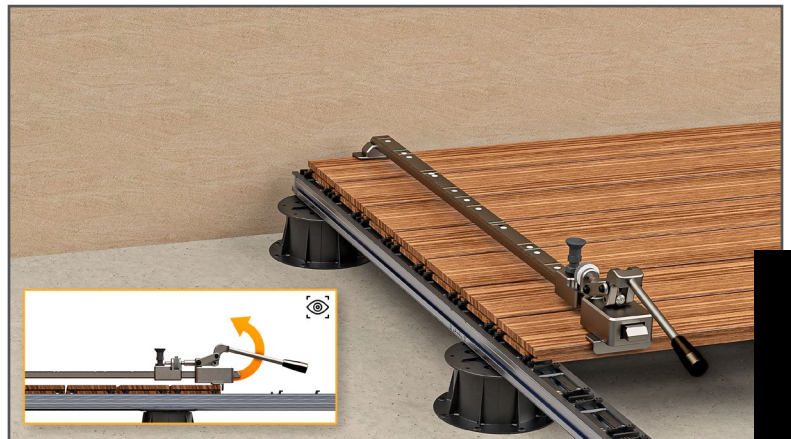


7

After that, fix the boards and clips as on steps 3 & 4 & 5 without any screws. Up to max. 8 planks of 100mm and 6 planks of 140mm width.

8

Once the 8 or 6 boards have been inserted over the entire width of your deck, position the clamping tool with the handle downwards.



9

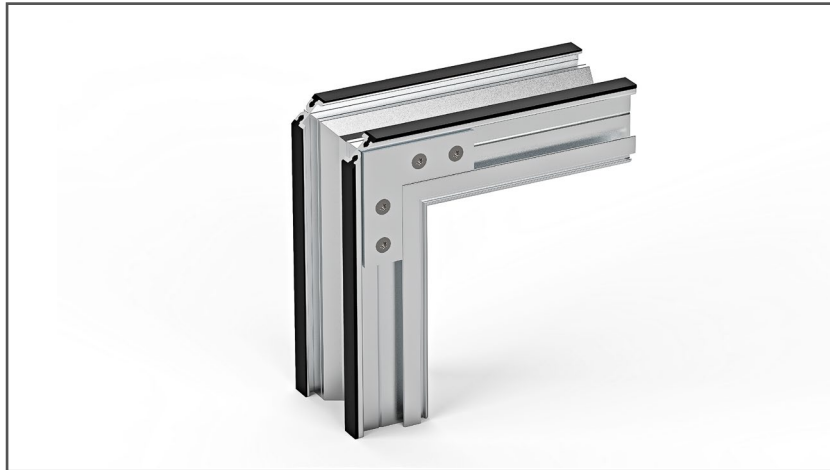
Lift the handle vertically to tighten the boards together. Then, start again as from step 5.

3. SPECIAL FINISHES

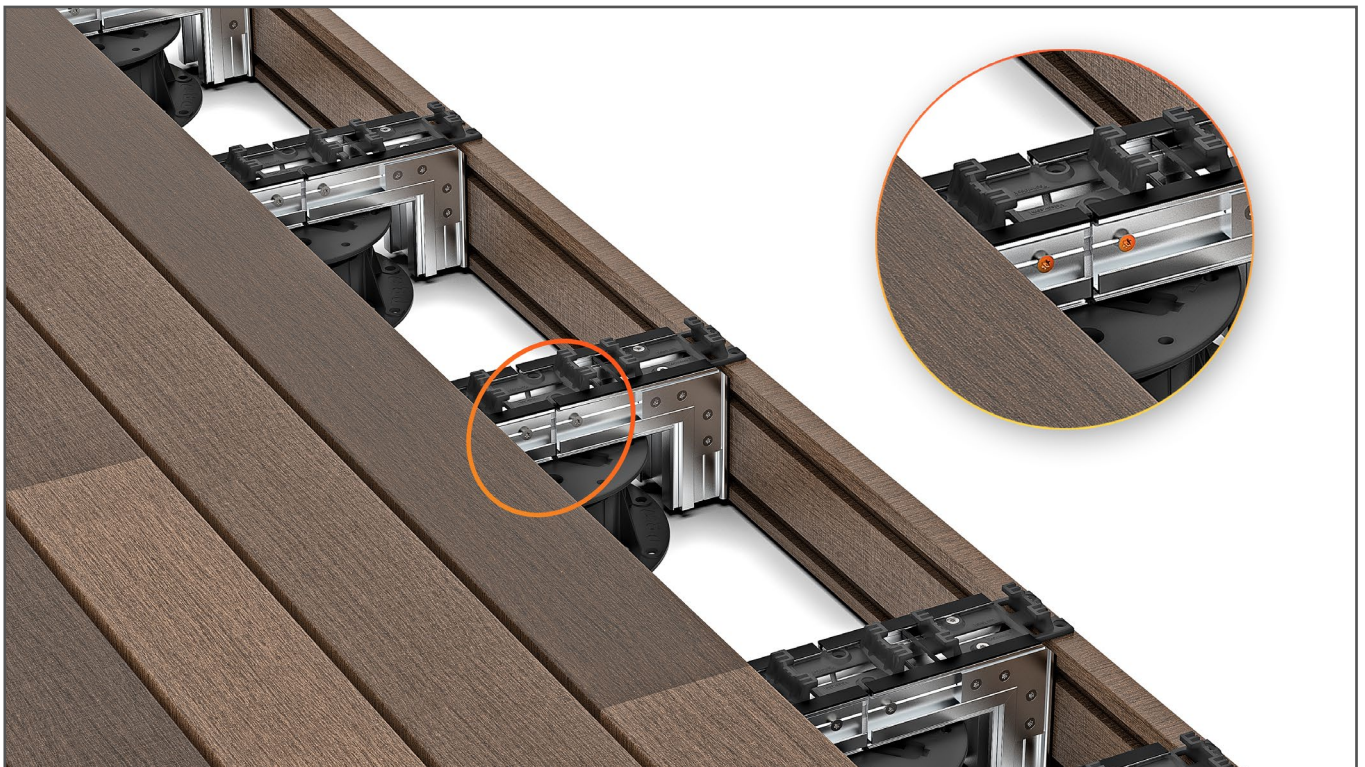


For all the finishes, we have developed *Technideck*[®] finishing modules which will allow you to finish your decking quickly and easily.

ENDING MODULES

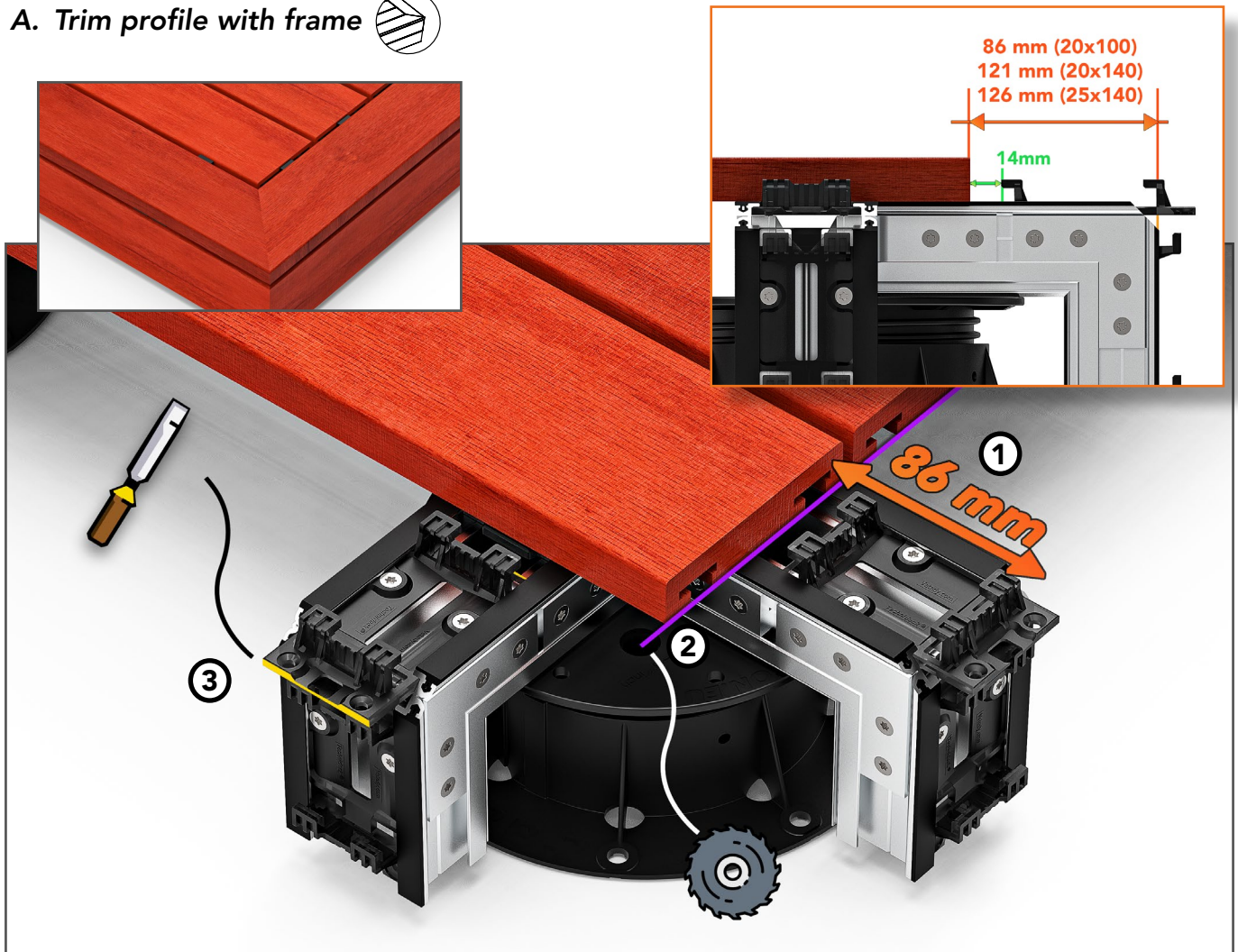


The finishing modules are attached to the end of the decking where the finishing belt or trim profile must be made. Cut the vertical part to lengths so that the modules reach the desired height. These modules are standard and measure 150mm in the length, however you can cut them as needed or lengthen them by using the intra-connectors and a piece of joist. (Please **note** that the brackets require a minimum of 5cm of joist length to be fixed).



To fix these modules, it is necessary to pre-drill the joist before screwing to prevent breakage. The modules are held using intra-joist connectors and are directly attached using a self-drilling screws at each side.

A. Trim profile with frame



①

For the trim profile, use the 150mm finishing modules. Cut the joists beforehand in order to arrive just right, making sure to respect the required distances for the belt boards (86mm, 121mm & 126mm: see finishing edge on last page).

②

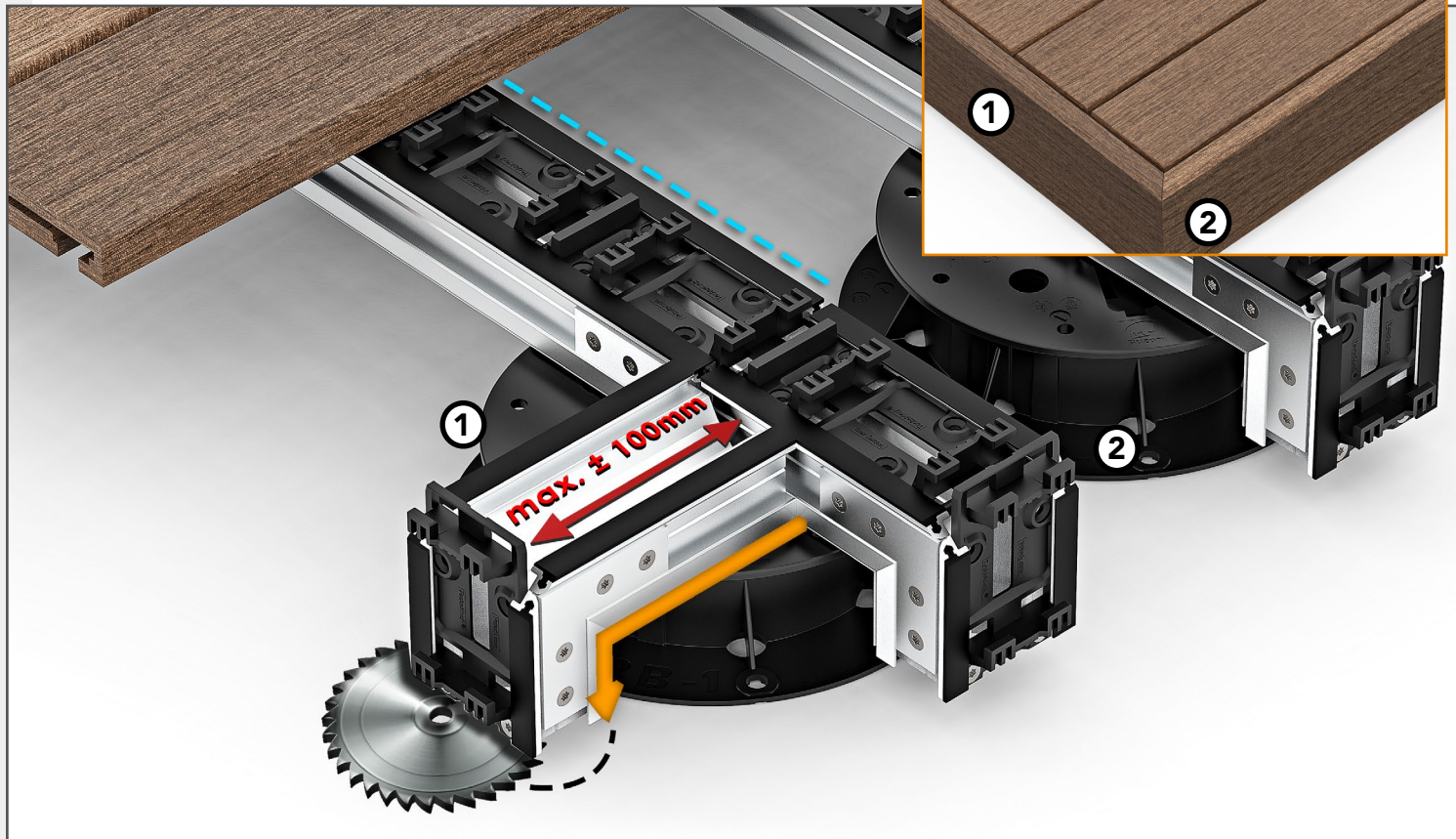
Cut the boards of the terrace with a plunge saw as close as possible to the last joist (+/- 10mm).

③

Cut the clips in the grooves provided for this purpose. Insert and screw the vertical clip flush with the joist. Fit the trim board. In the event that the trim height is more than a height of a board, screw the first clip with the ergos facing downwards, then cut the next clip over its length so that it can be inserted from the face, making sure to keep a distance of 23mm (see finishing wedge on last page) between the two ergos looking at each other and screw it. Insert a replacement ergo using glue between the boards once they are installed.

Once the trim board are installed, for the parallel belt, insert a clip in the opposite direction to the last one at a distance of 14mm and screw it to the joist. Fit the upturned board and insert a replacement ergo between the penultimate and the last board in order to block them.

B. Trim board without belt



①

Cut the modules as short as possible and fix them perpendicular to the last joist while respecting the axis dimension that was chosen at the start of the installation of the decking.

Then, fix the clips using the self-drilling screws (the lugs facing upwards and flush with the deck boards).

These modules will be used to fix the trim board perpendicular to the decking. Place the trim board, making sure to glue it to each fixing clip.

②

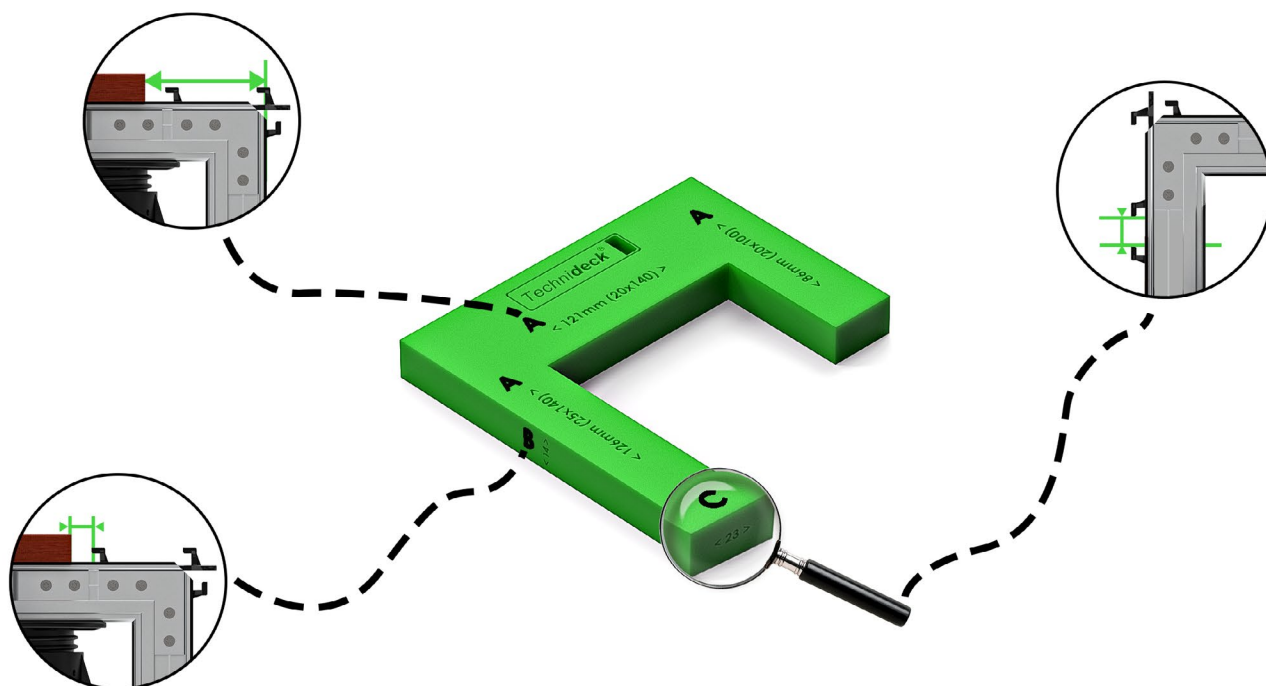
For the parallel trim, **cut the joists beforehand** in order to reach the desired distance by adding the 150mm modules before fixing the last planks of the decking.

Secure the modules to the joists with the intra connectors and screw them as shown in the "Finishing modules" section.

Then, screw the clips with the lugs facing upwards and flush with the deck boards. These modules will be used to fix the trim board parallel to the decking. Place the last board (s) of the decking and attach the trim board(s), making sure to glue it to each fixing clip.

FINISHING WEDGES

We have created a wedge for the finishes of your *Technideck*® terrace. This wedge has 5 dimensions. It will allow you to save time when finishing your decking. This wedge is available in the *Technideck*® installation set.



A
The large dimensions: 86/121/126mm allow you to measure the distances to cut the joists in relation to the last plank as shown above.

B
The 14mm thickness is used to place the clip at the correct distance when the last board is laid.

C
The 23mm dimension is useful when two clips are placed with the ergos facing each other.

FIND ALL THE INSTRUCTIONS ON VIDEO

Go to the link, or
photograph this QR Code:
<https://bit.ly/2ReVEKa>

